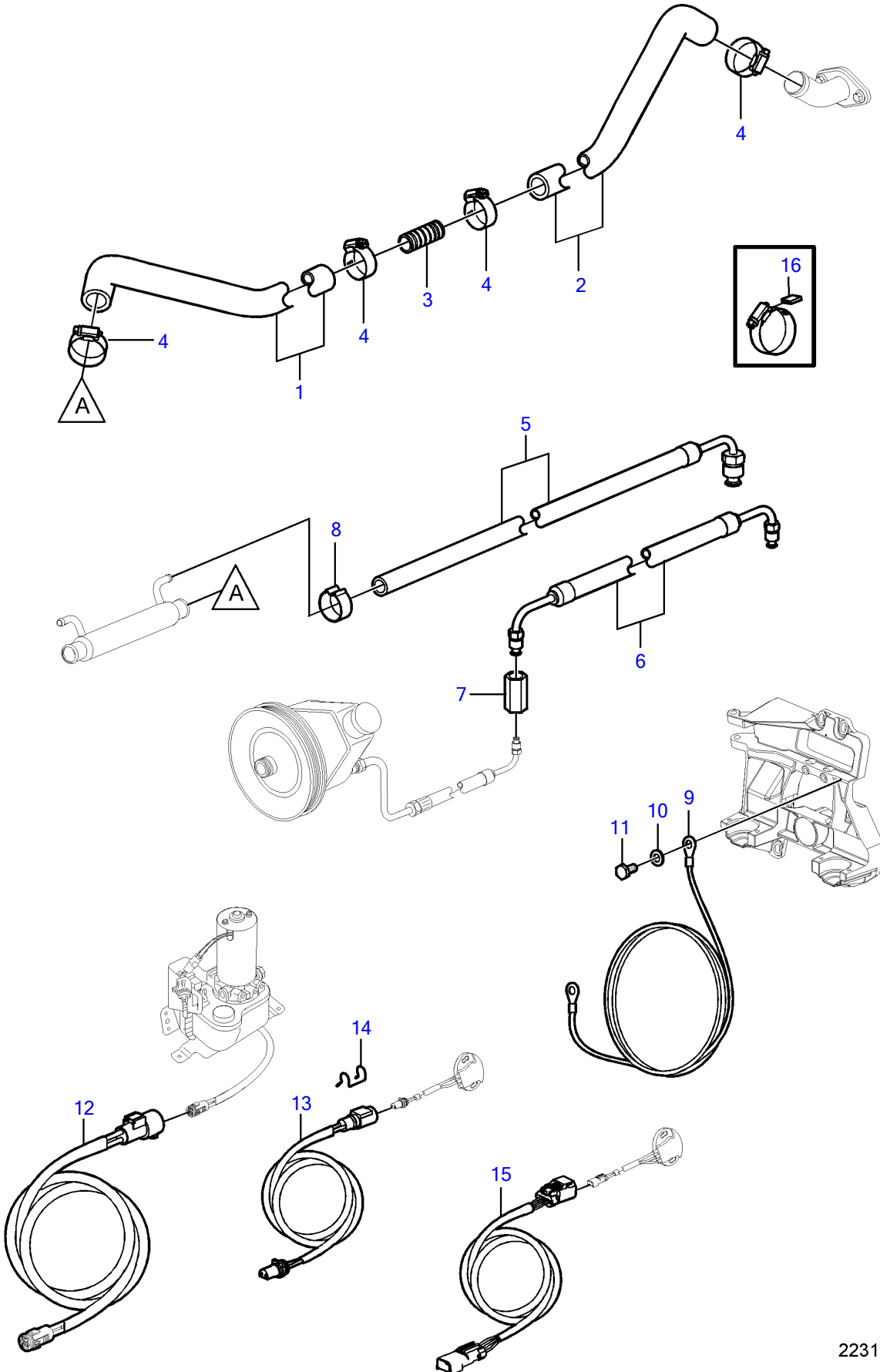


SX-M, SX-MHP, SX-MACLT, SX-MBAC



22314

SX-M, SX-MHP, SX-MACLT, SX-MBAC

REF	PART NO.	QTY	DESCRIPTION	NOTES
1	3860824	1	Hose	Cut to length
2	3843007	1	Hose	Cut to length
3	3851594	1	Connection pipe	
4	3852602	4	Hose clamp	
5	3860830	1	Hose, return	
6	3860831	1	Hose, pressure	
7	3862511	1	Fitting	
8	982663	1	Hose clamp	
9	(3862894)	1	Cable, ground	Obsolete part, L=3050mm
10	3852193	1	Washer	
11	3852050	1	Screw	
12	3842400	1	Wiring harness	Trim pump
13	3860839	1	Extension cable'verl	Trim sender, molded connector
14	(3852237)	1	Retainer	Obsolete part
15	3886946	1	Wiring harness	Trim sender, FCI connector
16	3858532	X	Cover, clamp	